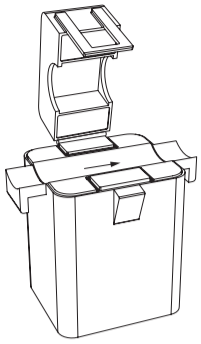


# CLIPON-COIL-3



## Clip-on coils for current measurement

© Enovates NV  
All rights reserved. No part of this publication may be reproduced, stored in a retrieval system, or transmitted, in any form or by any means, electronic, mechanical, photocopying, recording or otherwise, without prior written permission of the publisher.

Brandstraat 13  
9160 Lokeren  
Belgium  
+32 (0) 9 430 77 20  
info@enovates.com



### CONTENTS

1. Introduction.....	1
2. Technical description.....	2
3. Box content.....	2
4. Technical specifications.....	2
5. Installation instructions.....	2
6. Cleaning.....	4
7. Lifting and carrying.....	4
8. Maintenance and service.....	4

## 1. INTRODUCTION

### 1.1 Scope

This manual is applicable to CLIPON80A-COIL-3 and CLIPON100A-COIL-3 (in general referred to as CLIPON-COIL-3), a device for load balancing in all residential buildings, especially in locations where energy is produced. This document describes the specifications, installation and operation of the product. Please read this document carefully before installation and operating. The most recent version of this manual and specific configuration settings can be found on [www.enovates.com/downloads/](http://www.enovates.com/downloads/).

### 1.2 Target group

The installation and the operation of this device and any maintenance must be carried out by a qualified person in accordance with applicable local standards and safety regulations.

### 1.3 Intended usage

The CLIPON-COIL-3 is compatible with the Enovates charging stations/platforms SWB 4XX and variants.

In case of doubt of compatibility, contact Enovates first.

### 1.4 Used symbols

Following symbols are used in this document and/or are marked on the product:

	Alternating current
	Caution

### 1.5 Safety precautions:

Always adhere to the following checklist:

1. Only qualified personnel or licensed electricians should install the Enovates CLIPON-COIL-3.
2. Follow all applicable local and national electrical and safety codes.
3. Install the CLIPON-COIL-3 device in an electrical enclosure (panel or junction box) or in a limited access electrical room.
4. Before applying power, check that all the wires are securely installed by tugging on each wire.

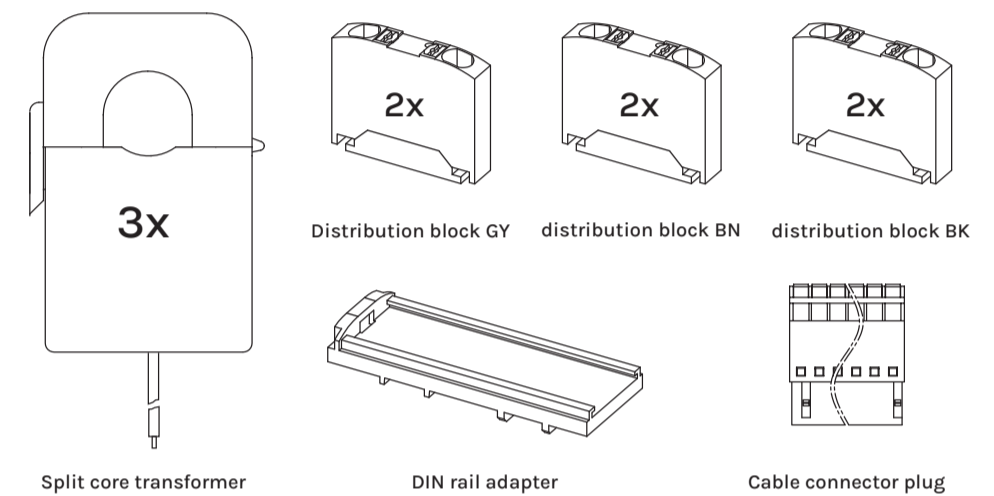
5. Do not install the CLIPON-COIL-3 where it may be exposed to temperatures below -25°C or above 75°C, excessive moisture, dust, salt spray, or other contamination. The device requires an environment no worse than pollution degree 2 (normally only non-conductive pollution; occasionally, a temporary conductivity caused by condensation must be expected).
6. Do not drill mounting holes in the device. Click the module on a DIN Rail instead.
7. If the CLIPON-COIL-3 is installed incorrectly, the safety protections may be impaired.

## 2. TECHNICAL DESCRIPTION

### 2.1 General description

The CLIPON-COIL-3 is the ultimate device for load balancing in all residential buildings, especially in locations where energy is produced (using PV). The device measures the energy flow and provides continuous information on the energy consumption or production of the installation. This plug-on solution allows for efficient smart charging in combination with a compatible charger, resulting in the perfect solution to optimize the use of your own green energy for your vehicle.

## 3. BOX CONTENT



## 4. TECHNICAL SPECIFICATIONS

### 4.1 Models

	80A coil*	100A coil*
Dimensions (mm)	22,8 x 40 x 25,8	29,4 x 46,5 x 32,4
Opening diameter (mm)	10	16
Operating temperature	-25°C ~ +50°C	-40°C ~ +80°C
Application area	Residential, Indoors in suitable meter cabine	Residential, Indoors in suitable meter cabine
Max. measurable current (AC)	80A	100A

## 5. INSTALLATION INSTRUCTIONS

### 5.1 Guidelines for safety and installation

	This installation guide must be consulted in all cases when manipulating parts which are marked with the Caution symbol. The installation and the operation of this device and any maintenance must be carried out by a qualified person in accordance with specific local standards and safety regulations.
	Thank you for purchasing our product. We hope that you are satisfied with your purchase and are enjoying the benefits that it offers. However, we would like to remind you that the guarantee for this product will no longer apply if the guidelines for safety and installation are not followed.

## 5.2 Mounting and wiring

Mount the device in a DIN rail cabinet.

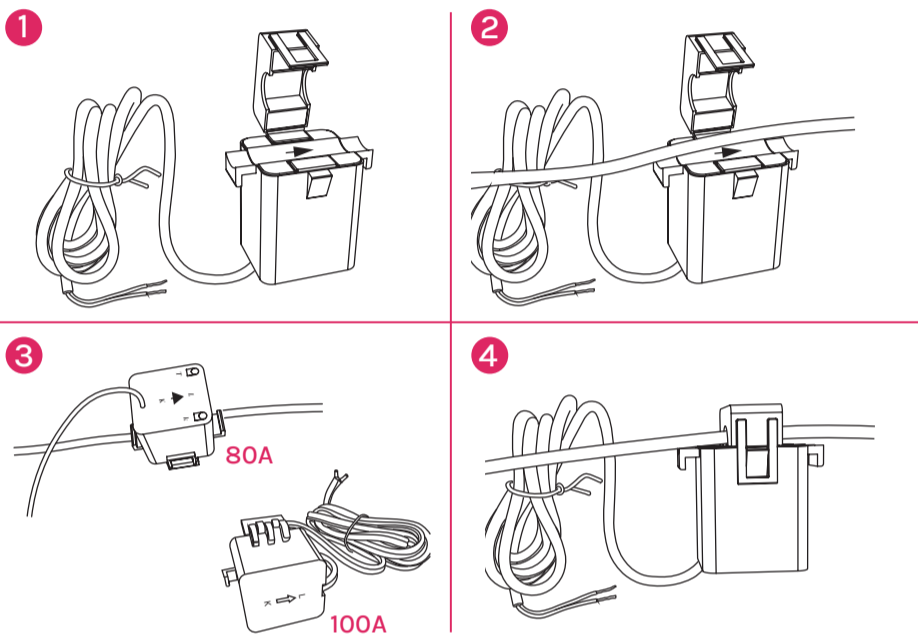
### 5.2.1. Installation



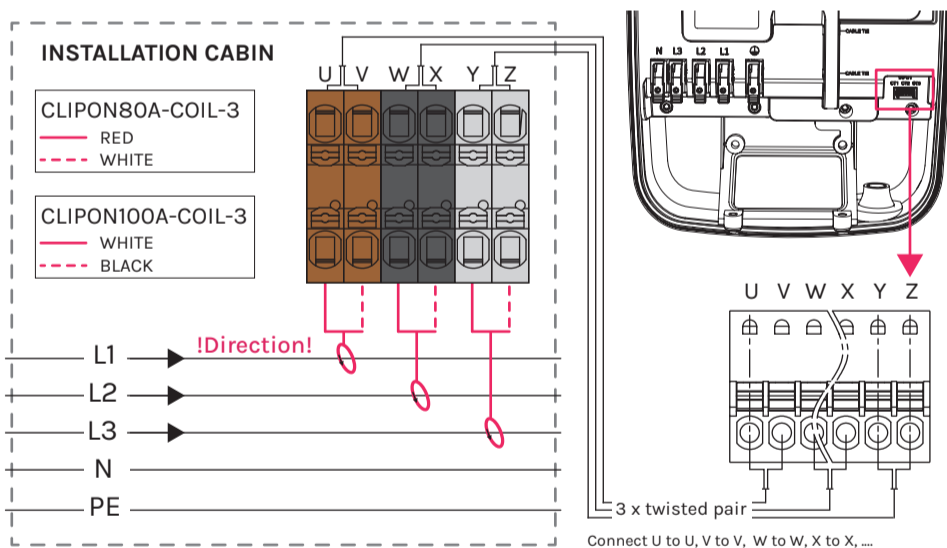
Before installing the CLIPON-COIL-3, it is mandatory to ensure that all power sources to the device or system are turned off and disconnected.

The coil is a split core coil, it can be unlocked and can be mounted around the conductor. To install the coils the following procedure should be followed:

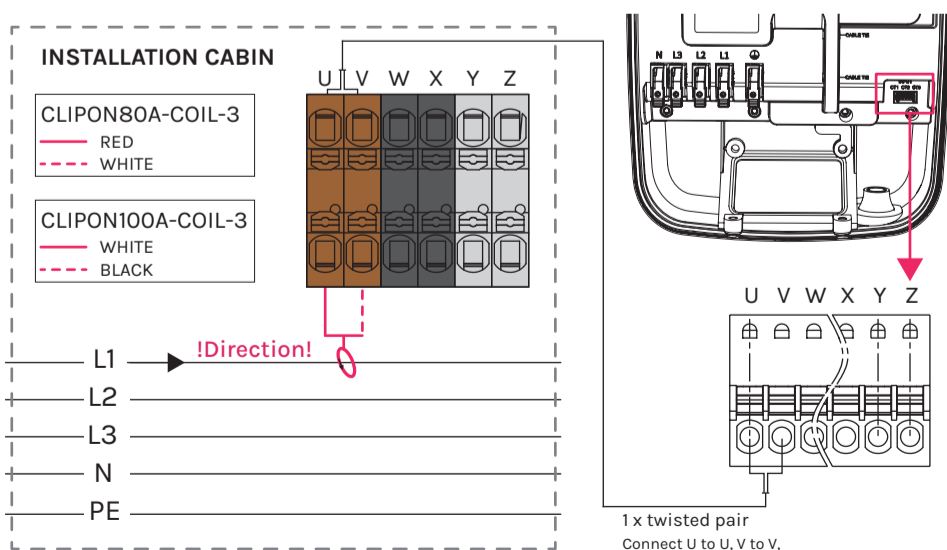
- Place the coils around the power cables. Ensure the correct electrical direction.
- Fix the DIN rail adapter with the pre-installed distribution block to the installation.
- Fix the coils into the cable connector plug
- Fix the STP cable into the cable connector plug
- Install a STP cable between the cable connector plug and the charger
- Plug in the connector into the charger
- Fix the STP cable into the connector
- Update the adminpage if necessary



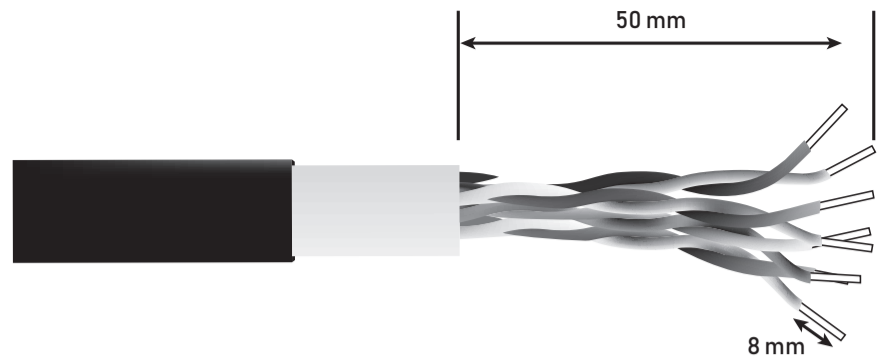
### 5.2.2. Wiring three phase configuration



### 5.2.3. Wiring one phase configuration



## Wire stripping

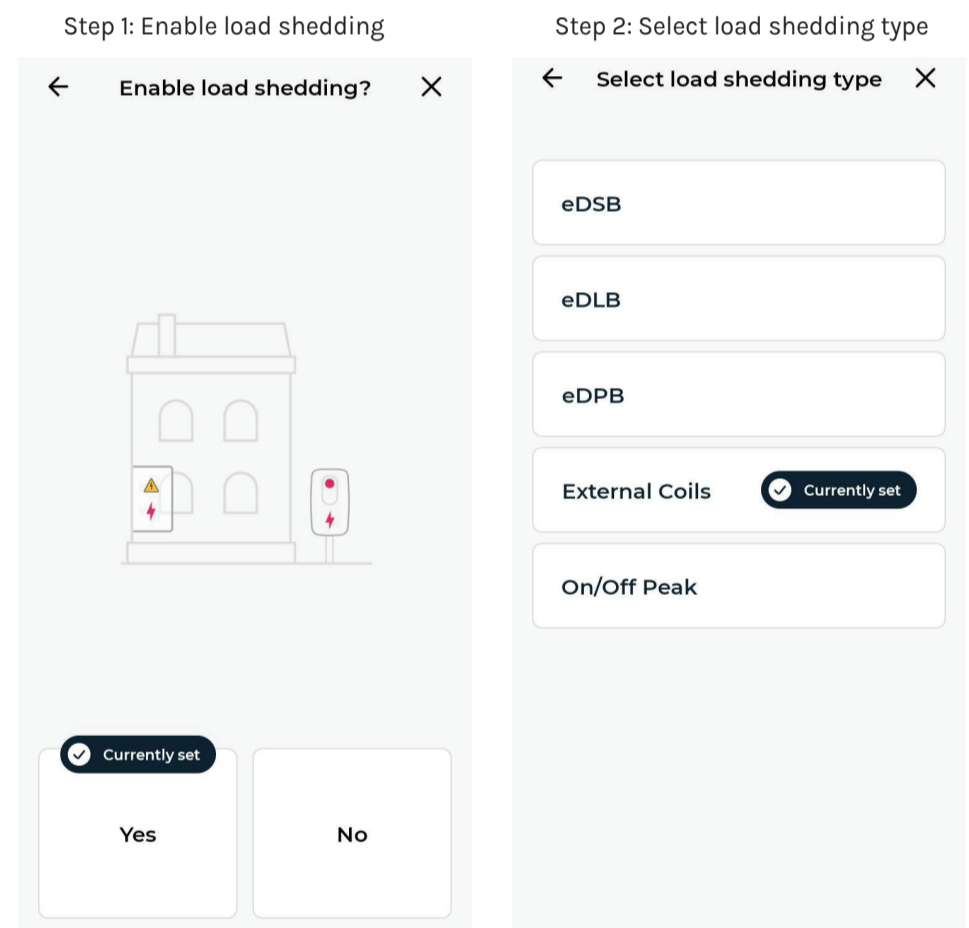


### 5.2.4. Configuring instructions using the My-eNovates app

The CLIPON-COIL-3 can be configured using the My-eNovates app, available in the App Store and Play Store. The app is compatible with phones running Apple IOS 12 or a more recent version, as well as phones running Android 10 or a more recent version. You will need the following tools and information to configure the charger using the app:

- Installer QR code (backcover installation manual )
- Bluetooth connectivity on phone
- Max current charger
- Max current house
- Manual or preset configuration
- Optional loadshedding and loadshedding type
- Authentication procedure you requested
- Charge tester or electric car to validate the configuration Scan the installer QR code to get started, and follow the app's instructions.

In the app, please make sure following settings have been confirmed:



## 6. CLEANING

Clean the unit with a slightly damp cloth and mild detergent.

## 7. LIFTING AND CARRYING

Use care when lifting and carrying the product.

## 8. MAINTENANCE AND SERVICE

There are no serviceable parts inside.